

LION PRECISION LRD7100 SPLICE SENSOR and TEAR STRIP SENSOR

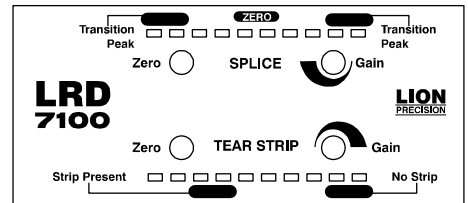
INSTRUCTION SHEET

M015-3800.006

Introduction:

The LRD7100 is a combination sensor for simultaneous sensing of splices and tear strips. The sensing surfaces are contained in a separate probe body connected to the sensor control electronics by a 6' (1m) cable.

The two separate functions of the sensor have completely independent outputs and setup. The adjustments and indicator on the top half of the sensor relate to the Splice Detector. The adjustments and indicator on the bottom half of the sensor relate to the Tear Strip Detector.

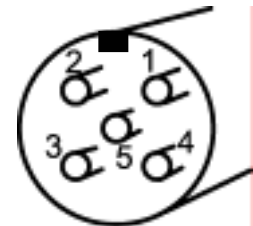


NOTE:

The sensor head and the electronics module are calibrated together and have the same serial number. To maintain optimum performance, these components should be used together. Matched pairs should remain together.

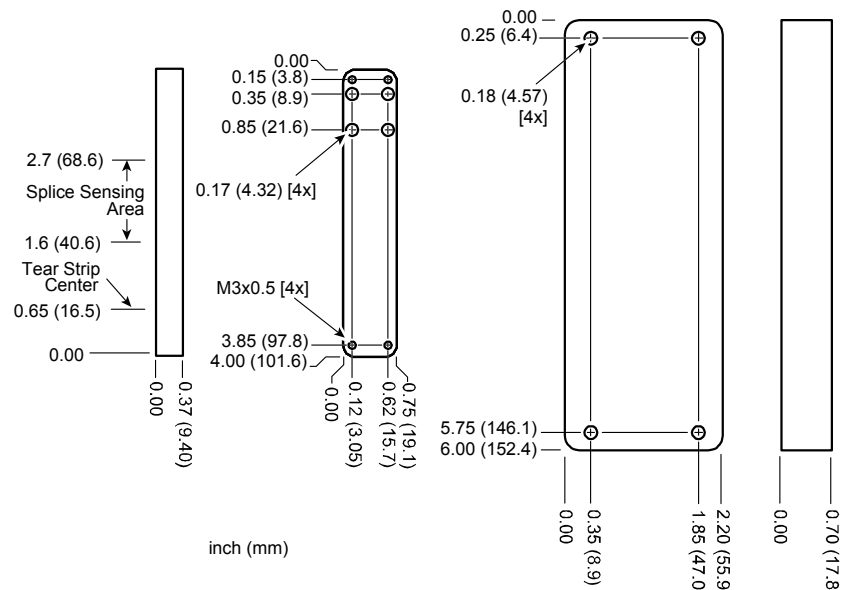
Connections:

Wire Color	Pin	Signal	Notes
Brown	1	+24VDC	
Blue	3	Ground	
Black	4	Splice Output	NPN Open Collector output (+30VDC, 150mA maximum)
White	2	Tear Strip Output	NPN Open Collector output (+30VDC, 150mA maximum)



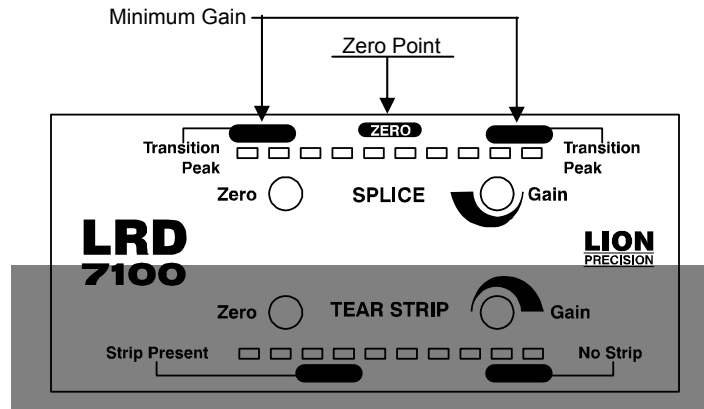
Specifications	
Power In	20-26VDC 200mA
Optimal sensor gap	0.025", 0.6mm
Splice Detection Response Time	30μS
Tear Strip Response Time	40μS
Operating Temperature	40°F-120°F 4°C-50°C
Outputs	NPN Open Collector +30V, 150mA Max. Short Circuit Safe
Inter-Sensor Cable Length	2 ft (0.6M)
System Cable Length	6 ft (2M)

Mechanical Data:



Setting up the Splice Sensor

1. Remove all material from sensor, or have backing only in the sensor.
 2. Adjust ZERO until the indicator is at the point where it switches between the two center LEDs.
 3. Insert a splice into sensor assuring the splice is under the [SENSOR] area of the sensor head. When material is moved through the sensor, the indicator will move toward the ends during transitions between splice and backing.
 4. Adjust GAIN while moving the splice through the sensor so the indicator moves between the TRANSITION PEAKS during the transitions.
 5. If the indicator is going all the way to both ends during transitions, GAIN should be reduced.
- Sensor is now ready.



Setting up the Tear Strip Sensor

1. Place material *with* the tear strip in the sensor. Be sure to align the tear strip with [] mark on the sensor head.
2. Adjust ZERO to light one of the indicators in the STRIP PRESENT area.
3. Place material without strip in the sensor.
4. Adjust GAIN to light one of the indicators in the NO STRIP area.
5. Reinsert strip material and verify the indicator is still in the STRIP PRESENT area. If necessary, repeat steps 2-4. (Large GAIN adjustments may require ZERO re-adjustment).

